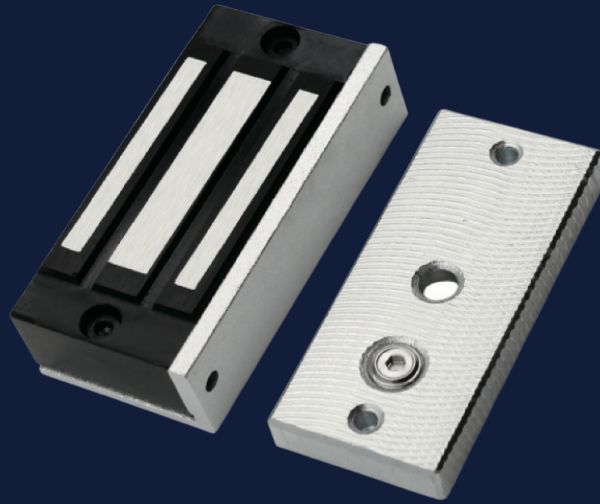




ELECTRO MAGNETIC LOCK

CLOUD-BASED ACCESS CONTROL SYSTEM | MOBILE ACCESS

EML-120

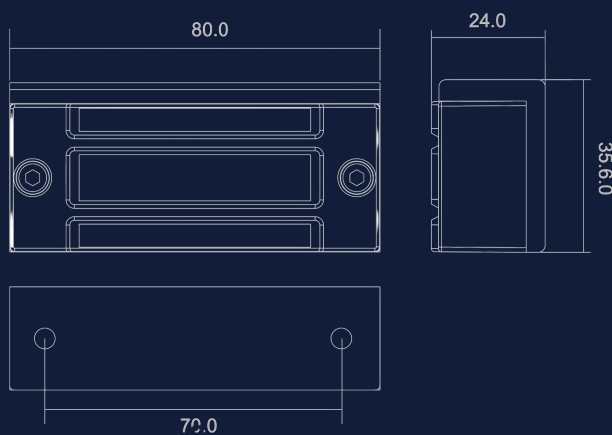


FEATURES

Mini single door electric lock,
It is Designed for showcase, Cabinet door and easy
to install The holding force is 120lbs.

SPECIFICATIONS

Model: EML-120
Voltage Input: 12 VDC
Current Draw: 130mA /12VDC
Holding force: Up to 120lbs(60 kg)
Dimension: 80(L) x 35.6(W) x 24mm(H)
Weight: 0.53kg



CLOUD-BASED ACCESS CONTROL SYSTEM | MOBILE ACCESS